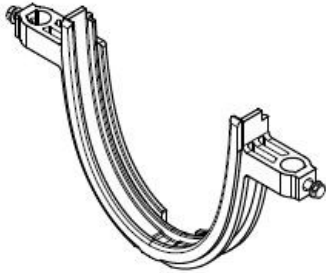
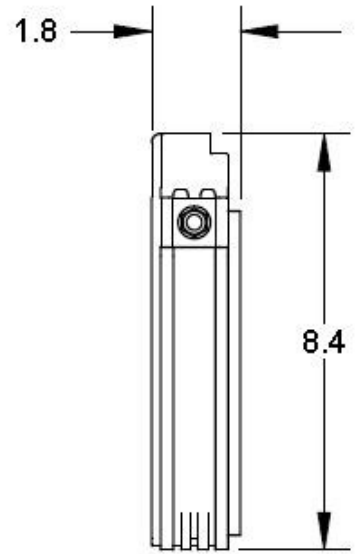
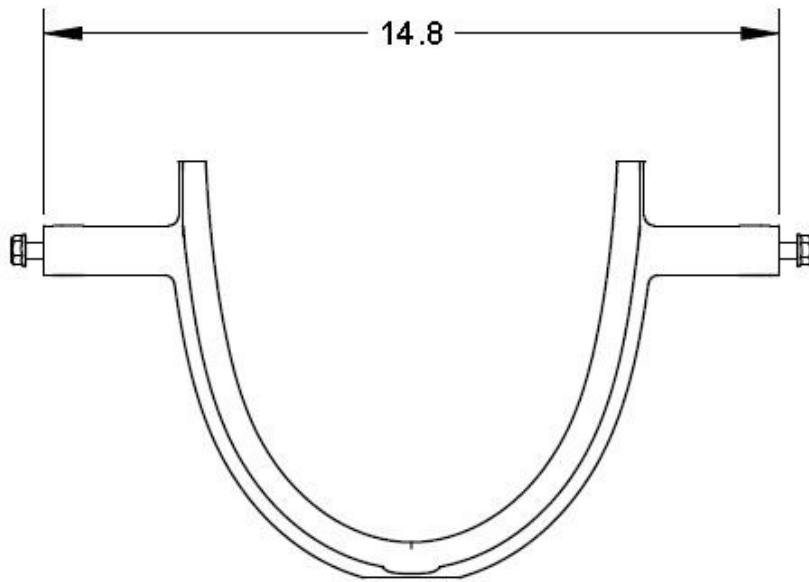


<p>Number</p> <p style="text-align: center;">200-BS</p>	<p>Series</p> <p style="text-align: center;">CPS200 Installation Bracket Pro Plus 200</p>
---	---



200-BS Support Bracket



Manufacturer



Specification

JOSAM 200-BS SUPPORT BRACKETS FOR PRO-PLUS 200C 4" CHANNELS. MADE WITH PVC MATERIAL TO SUPPORT AND CONNECT CHANNEL SECTIONS AND WITH VERTICAL HOLES TO SECURE TO REBAR WITH INCLUDED BOLTS, TO BE SUPPLIED BY TRENCH DRAIN SUPPLY.

DISCLAIMER - The customer and the customer's architects, engineers, consultants, and other professionals are completely responsible for the selection installation and maintenance of any product purchased from Trench Drain Supply and/or its manufacturers. TRENCH DRAIN SUPPLY MAKES NO WARRANTY, EXPRESS OR IMPLIED, AS TO THE SUITABILITY, DESIGN, MERCHANTABILITY, OR FITNESS OF THE PRODUCT FOR CUSTOMERS APPLICATION. The drawing and information provided remain the property and copyright of the manufacturer listed. The manufacturer reserves the right to modify specification without notice.